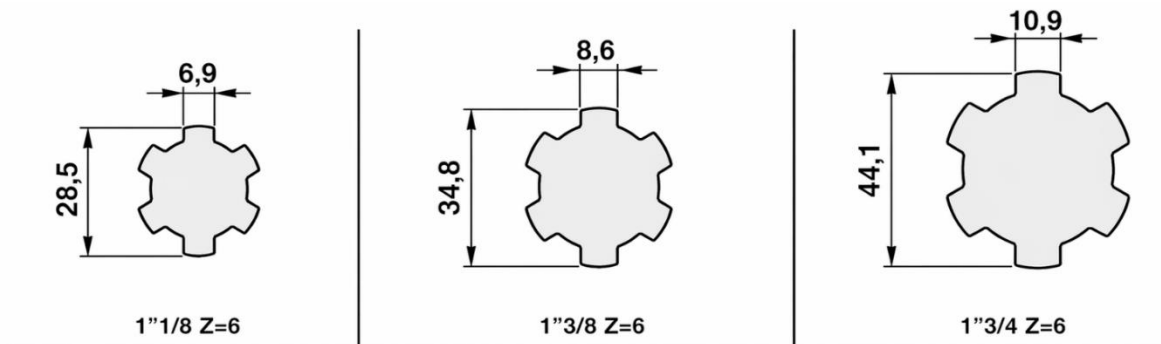


DATA SHEET – DIMENSIONS

PTO ADAPTER DOUBLE-SIDED



ITEM	EXTERNAL PROFILE	TOTAL LENGTH (mm)	SMOOTH SECTION Ø AND LENGTH WITH H7 TOLERANCE
11096	1" 3/8	150	Ø 35x20
11097		200	Ø 35x70
11098		250	Ø 35x120
11099		300	Ø 35x170
11100		400	Ø 35x270
11101		500	Ø 35x370
14827	1" 3/4	300	Ø 45x160